



Elevating Expectations

autem
vacuum lifters



Industry leading
vacuum lifting
technology.

autemvacuumlifters.co.uk

Contents

- 03 What are Vacuum Lifters?
- 05 Products
- 09 Bespoke Products Service
- 11 Case Study
- 12 Hire Fleet

“

I can always rely on Autem's professionalism and commitment to ensure the delivery of any project.

”

Billy Bowie

**Managing Director of Billy Bowie Special Projects Ltd
& Director of Kilmarnock Football Club**

What Are Vacuum Lifters?

Vacuum lifters can effortlessly and safely lift any non-porous materials from small scale projects, all the way up to large scale industrial, heavy manufacturing, civil engineering and construction requirements, for lifting and laying steel, wood, concrete, GRP cladding panels, and pipes, up to and beyond 50 tonnes.

The lifters work by using suction which is achieved via a state-of-the-art vacuum pump connected to a suction pad. Vacuum suction and release can

be achieved in seconds with a vacuum lifter, making the process simple and effective.

The introduction of this cost-effective technology can greatly improve the productivity, health & safety, and greatly reduce the manpower required in many materials handling, lifting, and laying processes.



Why Vacuum Lifters?

Vacuum lifting has transformed the heavy lifting industry. Autem provides safe, efficient, and reliable solutions for your lifting and laying needs.

Through our expert engineering and state-of-the-art vacuum lifting technology we provide enhanced safety features to protect your team and load, as well as reducing costs and improving efficiency.



Fast, Safe & Efficient



Prevents Load Damage



Improved Health & Safety



Reduced Labour Costs



UKCA & CE Certified

Contact Us Today

01563 601412

sales@autemvacuumlifters.co.uk



**MADE IN
BRITAIN**

HR1000/3000/5000

The HR is perfect for lifting concrete, steel, pipes, wood and plastic. It is easily attached to a mini excavator or crane.

- Optional remote control
- Both audible and visual alarms help meet health & safety standards
- Interchangeable vacuum pads between HR & TT
- Lifting Capacity:
1000kg / 3000kg / 5000kg
- Power: Battery Powered

Bespoke options beyond 5000kg available on request.



autem
vacuum lifters

Contact Us Today

01563 601412

sales@autemvacuumlifters.co.uk

Elevating Expectations

autemvacuumlifters.co.uk

Autem TT

The TT Ideal for lifting and fitting roof sheets, side panels etc. It is easily changed between cranes, giving great flexibility.

- Offers an end lift or side lift – horizontal or vertical
- Both audible and visual alarms help meet health & safety standards
- Interchangeable pads between HR & TT
- Lifting Capacity: 1000kg
- Power: Battery Powered



Contact Us Today

01563 601412

sales@autemvacuumlifters.co.uk

Elevating Expectations

autemvacuumlifters.co.uk



ST300

The perfect portable vacuum lifter. Our portable slab trolley has a lifting capacity of 300kgs and is designed to be used with ease by one person.

- The ST300 is ideal for lifting and laying concrete slabs.
- Single user – reduced labour costs and improved efficiency
- No lifting involved which lowers sickness absence
- Lifting Capacity: 300kg
- Power: Battery Powered



**MADE IN
BRITAIN**

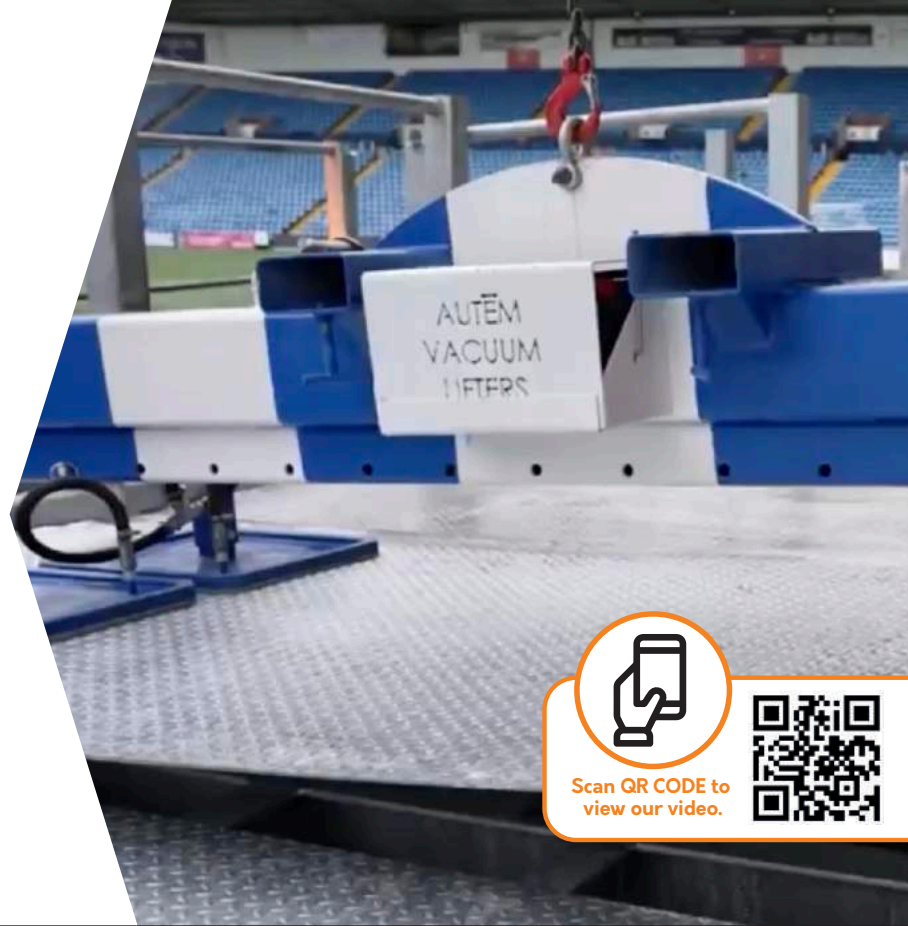
autem
vacuum lifters

The Quattuor

The Quattuor is ideal for lifting requirements between 500kg up to 10 tonne.

- The Quattuor is easily attached & detached from your crane & forklift
- Four pad based units – inline or on cross beams
- Remote control operated
- Both audible and visual alarms are installed on unit to help meet health & safety needs
- Power: Battery Powered

Bespoke options available on request.



Scan QR CODE to
view our video.



Contact Us Today

01563 601412

sales@autemvacuumlifters.co.uk

Elevating Expectations

autemvacuumlifters.co.uk

Bespoke Vacuum Lifting Products

We also design and manufacture bespoke products to better meet the needs of our customers who have specialist manufacturing processes or challenging projects.

Whether you need huge lifting power up to and beyond 50 tonnes, or something that provides a safer, simpler, and more labour efficient process, Autem has you covered.

Following an assessment of your needs, we will provide design drawings of your bespoke product for your approval, prior to the manufacturing stage.

- The bespoke range can be battery or mains operated
- User friendly – designed to meet your needs
- Can lift any non-porous surface



Meeting to Discuss Bespoke Product



Drawings and Sketches



Manufacturing of Product



Lifting Capacity \geq 50 Tonne

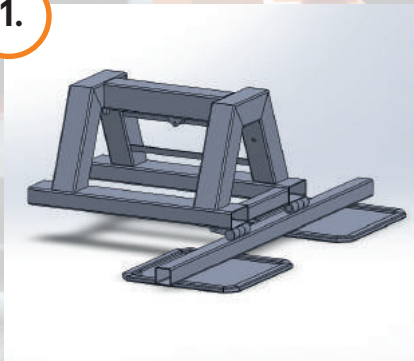
Bespoke Vacuum Lifting Products



Scan QR CODE to
view our video.

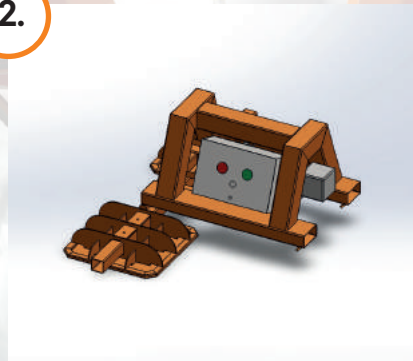


1.



Design and Drawing

2.



Computer Generated
Drawing of Product

3.



Final Manufactured Product

Contact Us Today

01563 601412

sales@autemvacuumlifters.co.uk

Elevating Expectations

autemvacuumlifters.co.uk

Case Study

ACP Concrete Required New Concrete Lifters

ACP Concrete are one of the biggest producers of pre-cast concrete panels in the UK. As a business they cannot operate without vacuum lifters within their panels department.

After realising that their current vacuum lifting technology was no

longer operational, ACP had to make a decision about new vacuum lifting machinery.

After a successful on-site survey and demonstration of our range of vacuum lifters, Autem were able to supply HR1000's each with a lifting capacity of one tonne, as the best solution.

“

The trial was successful and the vacuums are a well engineered piece of kit. The vacuums pay for themselves in the long term.

”

Phil Healey

Production Manager, June 2022



Scan QR CODE to
view our video.



Hire fleet

We have a range of vacuum lifters available for hire, including:

- Autem TT1000 & TT400
- HR1000 & HR3000
- ST300 – Slab Trolley
- Interchangeable pads available for the TT & HR units

They Grip.

They Lift.

They Lower.



autem
vacuum lifters

Contact Us Today

01563 601412

sales@autemvacuumlifters.co.uk

Elevating Expectations

autemvacuumlifters.co.uk