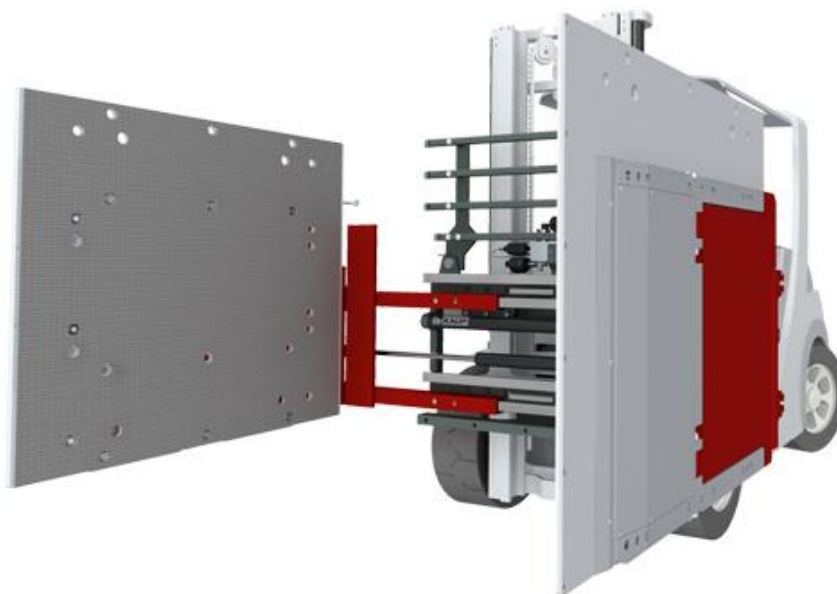


Kaup Carton Clamp

Fleet No. BC0277



B&B
attachments



Specification

B&B Fleet No: BC0277

Serial No: 016177/001

Make: Kaup

Model: 1.5T414-1

Description: Carton Clamp with 3 Way PRV

Class: 2A

Side shifting: Yes

Clamp Arms: 1200x1180mm

Opening Range: 470-1610mm

Capacity & load centre: 1250kg @ 500mm

C of G: 530mm

Lost Load: 133mm

Weight: 620kg

Frame: 970mm

Rotation: No

B&B Attachments Ltd

Unit 46 Colbourne Avenue, Nelson Park
Industrial Estate, Cramlington, Northumberland,
NE23 1WD United Kingdom

Tel: +44 (0)1670 737373
hire@bandbattachments.com
www.bandbattachments.com